

TECHNICAL DATA SHEET v4

SOLENOID VALVE INDUSTRIAL RANGE



DESCRIPTION

An extensive range of pilot operated solenoid valves to provide safe conveyance, distribution and control of water services in a wide range of applications. The key attributes are:

- **European & US approval for both electrical and potable water compliance**
- **Robust construction and long service life**
- **Wide selection of standard port connections**
- **Modular platform to facilitate client specific port options**

APPLICATION

- **Drinks dispense machines**
- **Shower and bath systems**
- **Glass and dish washers equipment**
- **Automatic taps**

GENERAL PERFORMANCE DATA

VOLTAGE:	230V AC, 120V AC, 24V AC/DC, 12V AC/DC
FREQUENCY:	50 - 60 Hz & DC
POWER DRAW:	7 Watts (230V), 7 Watts (120V) & 4.6 Watts (24V)
COIL INSULATION:	Class F (140°C Operating Temperature)
INSULATION:	Class II. Fully double insulated. No Earth required.
AMBIENT TEMPERATURE:	60°C maximum
MEDIUM:	Potable water, 90°C maximum
DUTY CYCLE 100%:	Tu 60°C (ambient), Tm 25°C (Cold Water)
DUTY CYCLE:	3min ON/5 Min Off Tu 60°C (ambient), Tm 90°C (Hot Water)
OPERATING PRESSURE:	0.2 to 10 Bar
FLOW REGULATOR:	0.5 - 5.0 litres/minute
EMC:	Fully compliant
APPROVALS:	EN 60 730-2-8, WRAS & ACS
TERMINALS:	Two 6.35 x 0.8 mm male tab terminals

COIL OPTIONS

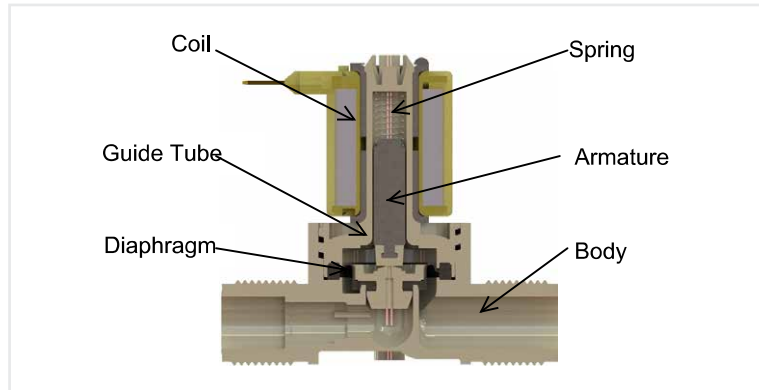
Solenoid coils are supplied with the standard 6.5 x 0.8 terminals; options are available for RAST 5 and RAST 2.5 subject to minimum order volumes.

COLOUR	(V)	VOLTAGE TOLERANCE	FREQUENCY (HZ)	CURRENT (AMPS)	POWER (W)	RESISTANCE (Ω)	DUTY CYCLE
BROWN	230	10	50-60	0.035	5.8	3820	100%
BEIGE	230	220-240	50-60	0.03	7.0	4060	100%
BLACK	110	110-120	50-60	0.45	7.0	1180	100%
YELLOW	24	10	50-60	0.19	4.6	60	100%
YELLOW	24	10	DC	0.39	9.4	60	3min on, 5min off
GREY	12	10	50-60	0.38	4.5	14.5	100%
GREY	12	10	DC	0.82	9.0	14.5	3min on, 5min off
GREEN	12	10	DC	0.2	2.3	56	100%

TECHNICAL DATA SHEET

SOLENOID VALVE INDUSTRIAL RANGE

SCHEMATIC DIAGRAM



GENERAL CONSTRUCTION DATA

COMPONENT	MATERIAL
BODY	NYLON PA 6.6 30% Glass Filled
GUIDE TYPE	NYLON PA 6.6 30% Glass Filled
SPRING	AISI 316 stainless steel
ARMATURE	Stainless Steel Z6CDF18.2 (ASTM XM 34)
DIAPHRAGM AND ARMATURE TIP	EPDM or NBR
COIL BOBBIN	Nylon PA 6.6 heat stabilised
COIL ENCAPSULATION	Nylon PA 6 heat stabilised
MAGNETIC CIRCUIT	Mild Steel 1.2 Galvanised bichromated
MOUNTING BRACKET	Mild Steel 1.2 Galvanised bichromated

CHEMICAL RESISTANCE

If using strong or aggressive chemicals please verify the material compatability from the list above. Chemical resistance information is available at:
www.hydraelectric.com/h/chemical-resistance.

MOUNTING

The valves can be mounted via 2 self-tapping screws from the underside of the main body.
Note: Avoid penetrating the diaphragm chamber with excess screw length.

INSTALLATION REQUIREMENTS

MINIMUM OPERATING PRESSURE:	0.2bar, for effective closure of diaphragm to valve seat
MINIMUM DIFFERENTIAL PRESSURE:	0.2bar, min pressure differential between inlet and outlet of valve
INLET MATING CONNECTION:	Maximum torque setting 4.0 Nm
WATER QUALITY:	Solenoid valves are designed for use on potable clean water systems, excessive particulates can cause failure. Avoid direct connection to hot water boilers which may cause excess build up of calcium deposits
INLET FILTER:	0.4mesh filter must be fitted up stream of the valve; failure to use a filter upstream of diaphragm can cause failure
SERVICE LIFE:	50,000 operations under hot and cold water conditions, service life will vary according to local water conditions and temperature

TECHNICAL DATA SHEET

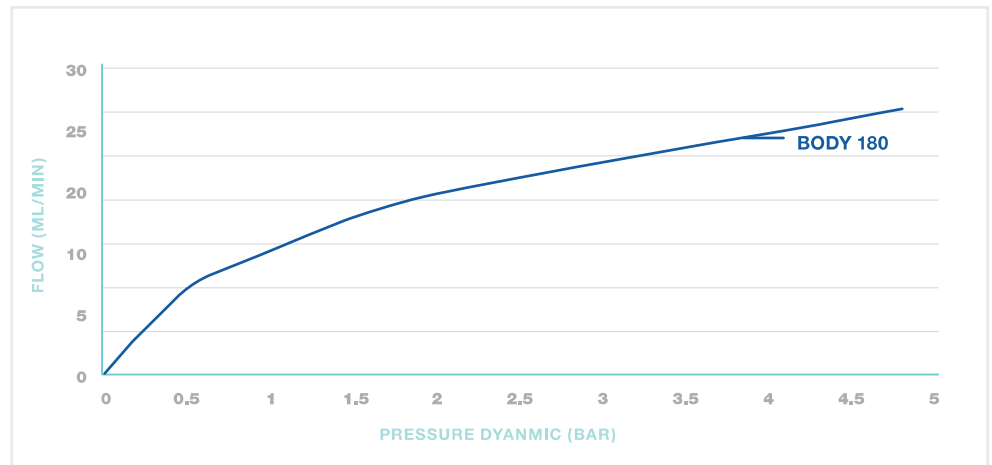
SOLENOID VALVE INDUSTRIAL RANGE

FLOW

The graph represents typical flow curve for solenoid valve without restriction on the outlet and dynamic inlet pressure between 0 and 5 Bar.

Note:

Maximum flow rate is 20 lit/min. above this value the valve may fail to close after the coil is de-energised.




FLOW REGULATION

A flow regulator can be fitted to the inlet and outlet ports to provide constant flow with an inlet pressure range of 1 to 10 Bar.

The flow regulator is composed of a plastic housing with studs onto which a rubber seal is located. Flow is controlled by pressure acting on the washer thus restricting the gap between the stud and water passage.

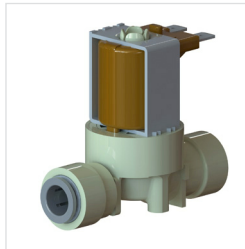
OUTLET FLOW REGULATORS			
COLOUR	FLOW L/MIN	FLOW US GAL/MIN	TOLERANCE (%)
YELLOW	0.5	0.13	30
BLUE	1.2	0.32	25
PALE GREEN	2	0.53	25
BROWN	2.5	0.66	25
VIOLET	3.3	0.87	25
ORANGE	3.8	1	25

PORT CONNECTIONS

	SINGLE VALVE 180° BODY	
	INLET	OUTLET
	3/4BSP	3/4BSP
	1/2BSP	1/2BSP
	15mm Compression (1/2BSP)	15mm Compression (1/2BSP)
	3/8BSP	3/8BSP

TECHNICAL DATA SHEET

SOLENOID VALVE INDUSTRIAL RANGE



SINGLE VALVE 180° BODY & JOHN GUEST COLLECT SYSTEM

INLET

3/8 Push Fit

5/16 Push Fit

10mm Push Fit

8mm Push Fit

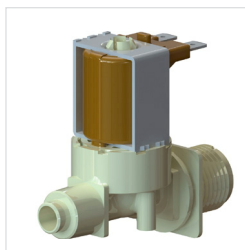
OUTLET

3/8 Push Fit

5/16 Push Fit

10mm Push Fit

8mm Push Fit



SINGLE VALVE 180° BODY

Ports can be customised to specific applications allowing more effective integration into the client equipment. The mould tool construction is modular allowing for the inlet and outlet ports to be customised.

STANDARDS

The Solenoid Valves range is subjected to compliance testing and approval to following standards:

- **WRAS: Water Research Advisory Scheme (Hot & Cold Water)**
- **ENEC: European Safety Mark EN 60 730-2-8**
- **UL & CSA Underwriters Laboratories Inc**
- **ACS: Attestation de conformité sanitaire**
- **RoHS: European Directive 2002/95/EC**

TECHNICAL ASSISTANCE

Please contact our Sales or Technical Support team on **0044 (0) 1932 334200**, or visit our website **www.hydraelectric.com**